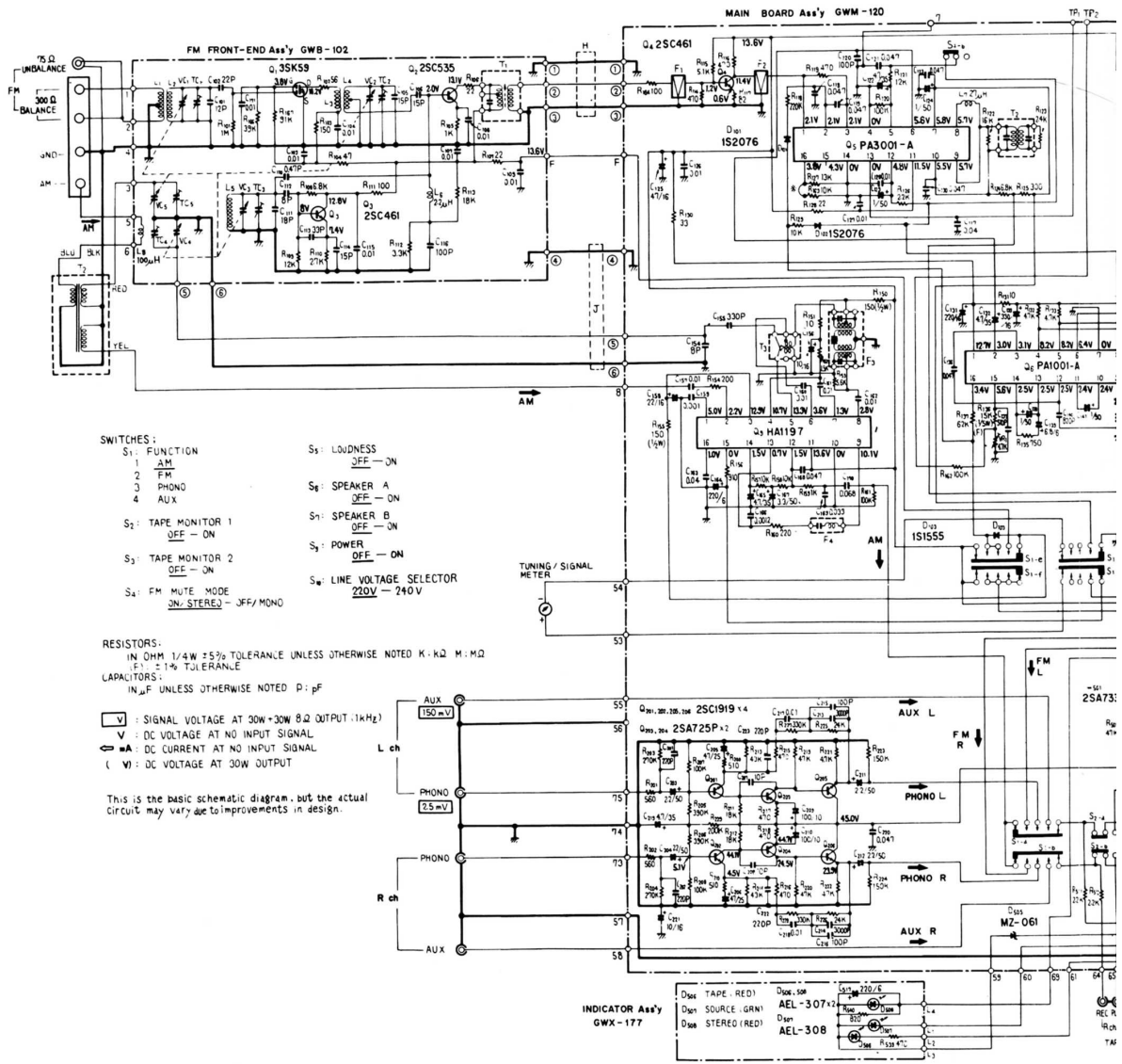


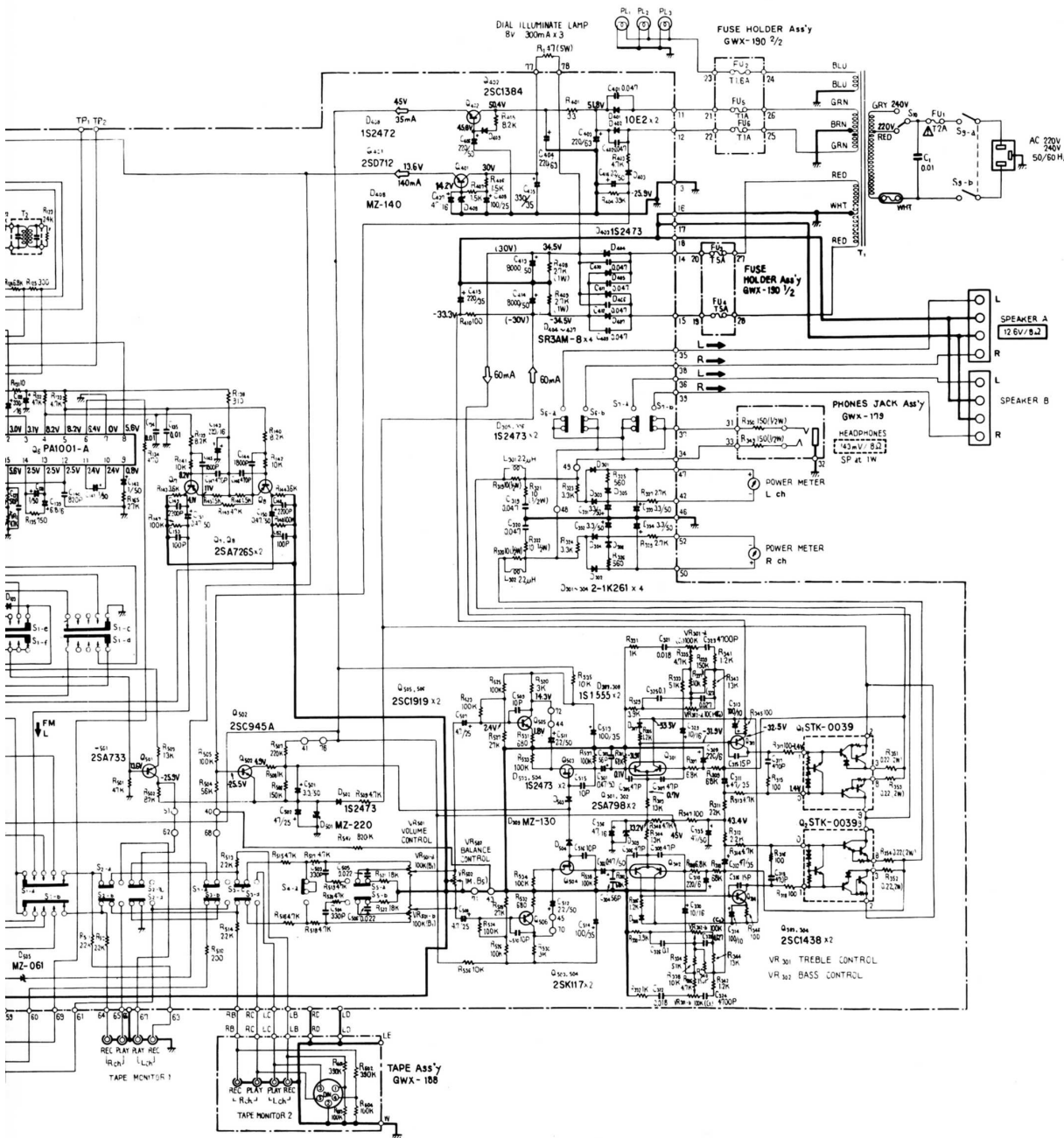
SCHEMATIC DIAGRAMS, P.C.BOARD PATTERNS AND SCHEMATIC DIAGRAM

A
B
C
D



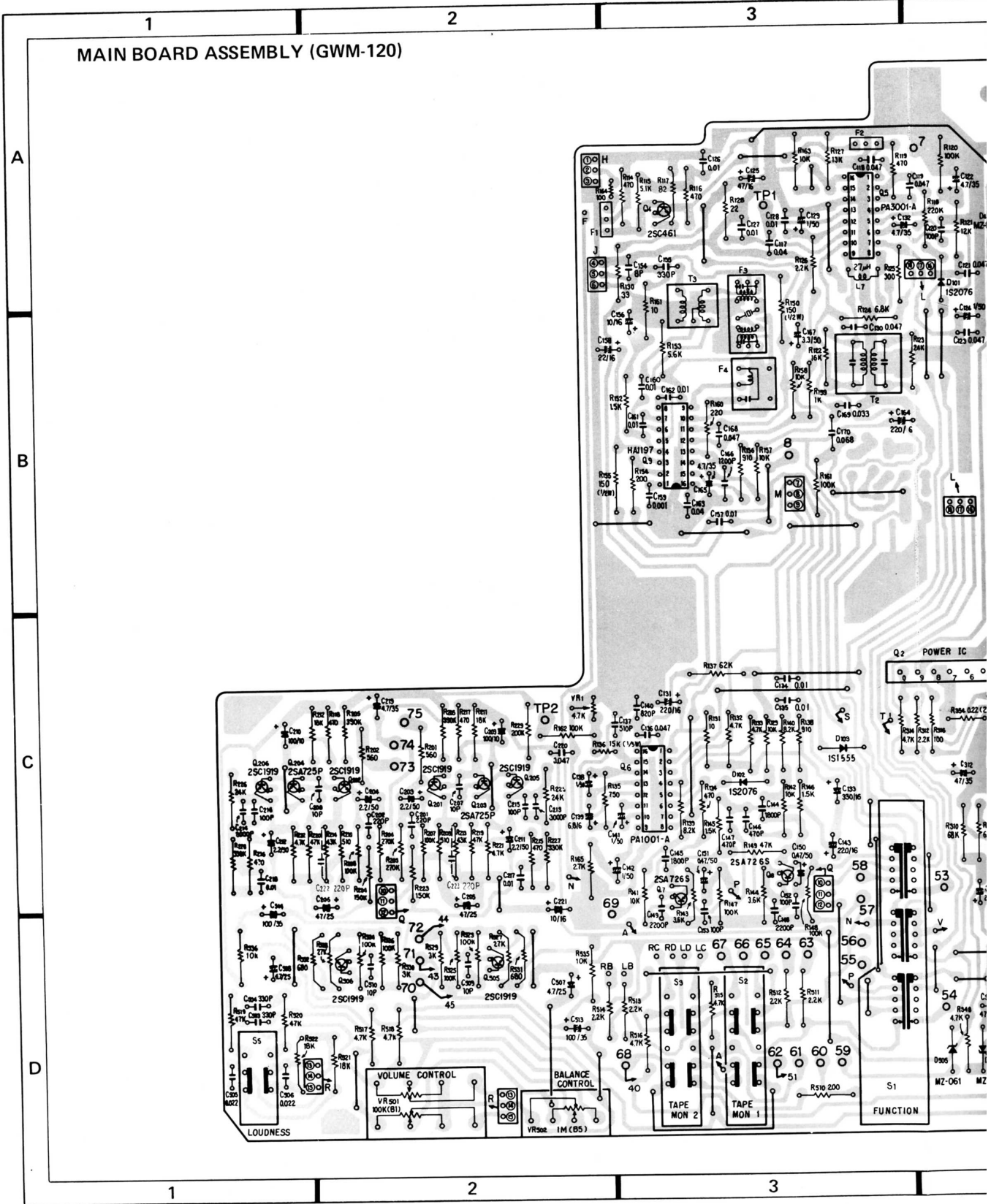
AND PARTS LIST

NOTE: The indicated semiconductors are representative ones only. Other alternative semiconductors may be used and are listed in the parts list.



A
B
C
D

MAIN BOARD ASSEMBLY (GWM-120)



SX-690/HG, HGW4

